

Patch Antenna

Specification

Type	SDARS (SIRIUS / XM)
Series	PAS23xxMH4G-xxx-xxx PAS23xxMF4G-xxx-xxx PAS2333MF4G-148-1ZS

Product name PAS23xxMH4G-xxx-xxx

Product name PAS23xxMF4G-xxx-xxx

Appearance

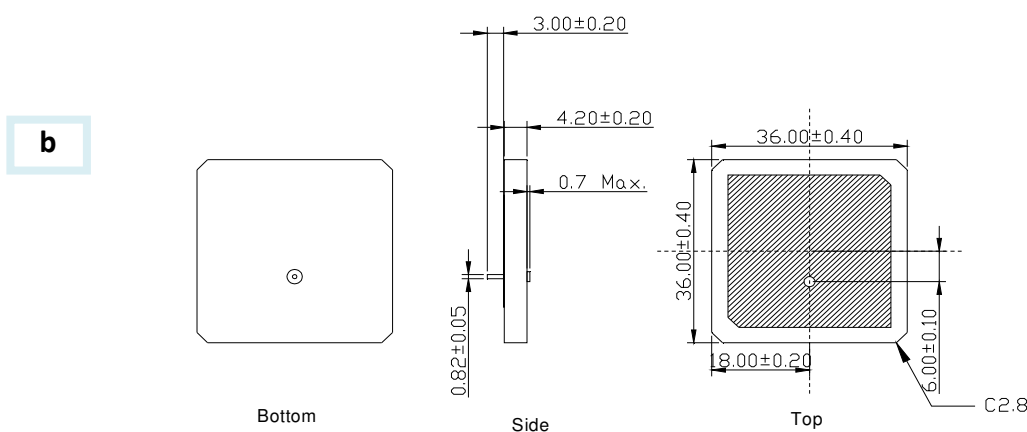
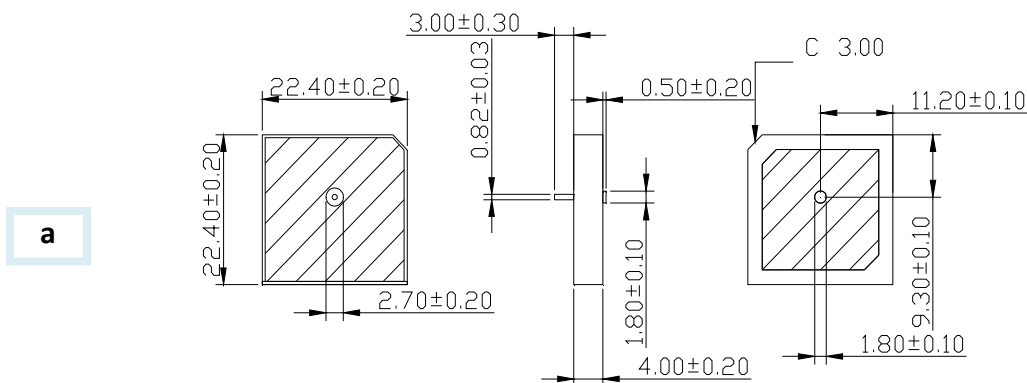
Specification

Center Frequency (MHz)	2332.5±5	2332.5±10
Bandwidth (MHz)	60.0 min	110.0 min
Gain at Zenith (dBic)	5.5 typ.	5.0 typ.
Polarization	L.H.C.P.	L.H.C.P.
Impedance(Ω)	50 typ.	50 typ.
Axial Ratio (dB)	≤ 3	≤ 3

Test Condition 50 mm Square Ground Plane

Test Condition 1 m Ground Plane

Dimension (mm) 22.4 x 22.4 x 4

Dimension (mm) 36 x 36 x 4.2


Product name PAS2333MF4G-148-1ZS

Appearance



Specification

Center Frequency (MHz)	2332.5±10
Bandwidth (MHz)	
Gain at Zenith (dBic)	5.0 typ.
Polarization	L.H.C.P.
Impedance(Ω)	50 typ.
Axial Ratio (dB)	≤ 3
Test Condition	1 m Ground Plane
Dimension (mm)	28 x 28 x 4

