

# Automotive Antenna

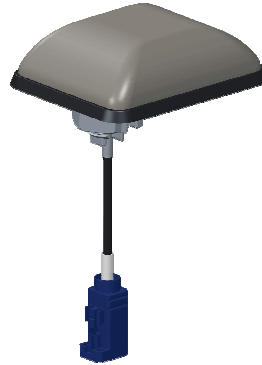
## Specification

<b>Type</b>	<b>ODM/OEM</b>
<b>Part No</b>	GPSGLONASS13S3W-S6-00-A GPS01R-S3-46-A GNCLTEWiFi36U5W-S3-00-B GNSAMFM-25S1W-S5-00-B

Product name

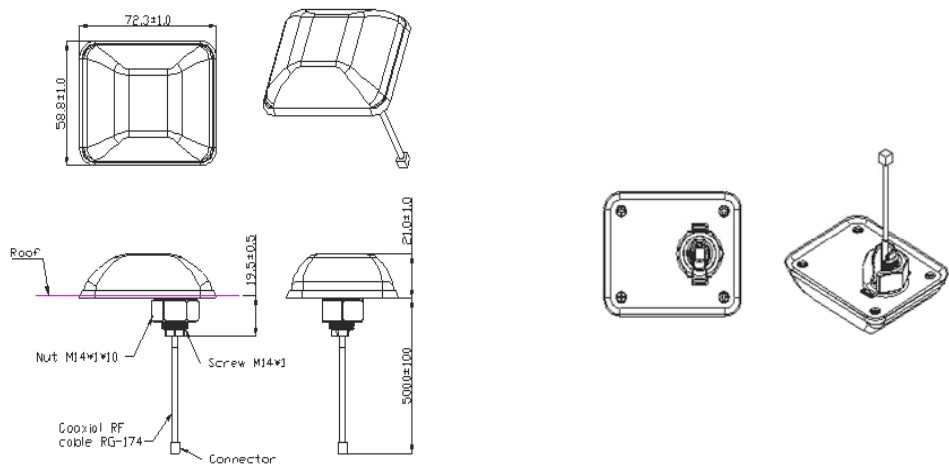
GPSGLONASS13S3W-S6-00-A  
(GNSS)

Appearance



Specification

Frequency Range (MHz)	1570~1610MHz
Gain (dB)	1575.42 MHz :27±3dB (3.0±0.1 V)
	30±3dB (5.0±0.1 V)
	1602 MHz :27±3dB (3.0±0.1 V)
	30±3dB (5.0±0.1 V)
Noise Figure (dB)	2.0dB typ.
Filter Outband attenuation	NA
Output V.S.W.R	2.0 max.
Voltage (V)	DC=3.0~5.0V
Current (mA)	9±3mA (3.0±0.1 V)
	18±3mA (5.0±0.1 V)
Dimension (mm)	72 x 59 x 21mm



**Product name**

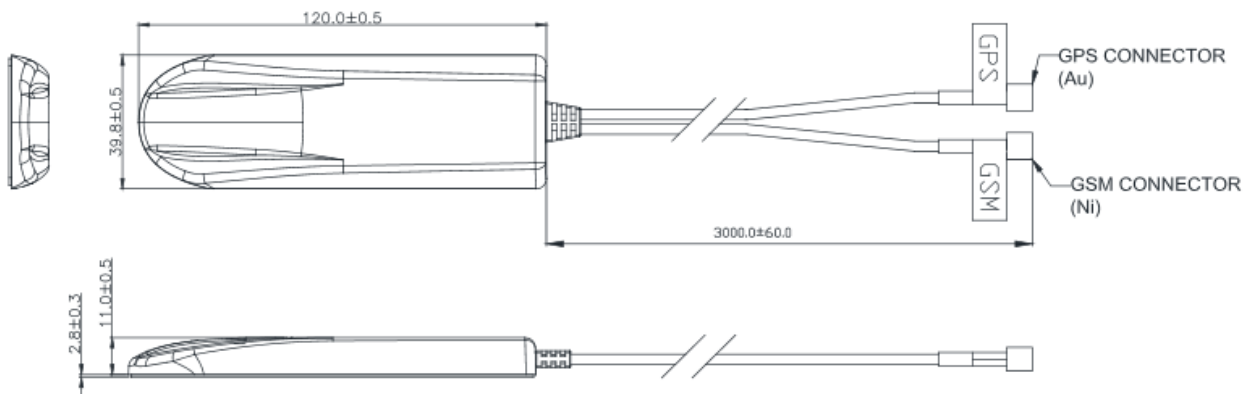
**GPS01R-S3-46-A**  
**(GNSS+3G/LTE)**

**Appearance**



**Specification**

<b>Frequency Range (MHz)</b>	1575.42±1.023MHz
<b>Gain (dB)</b>	28±3dB (at 3.0±0.1V)
<b>Noise Figure (dB)</b>	5.0dB typ
<b>Filter Outband attenuation</b>	40.0dB typ. fo±100MHz (fo=1575.42MHz)
<b>Output V.S.W.R</b>	2.0 typ.
<b>Voltage (V)</b>	DC=3.0V
<b>Current (mA)</b>	DC=23.5±4mA (at 3.0±0.1V)
<b>Dimension (mm)</b>	120x39.8x11mm



Product name

GNCLTEWiFi36U5W-S3-00-B

Appearance



Specification

Frequency Range (MHz)

1561~1610MHz

Gain (dB)

1561MHz 28±3dB (at 3.0±0.1V)  
 1575.42MHz 28±3dB (at 3.0±0.1V)  
 1602MHz 27±3dB (at 3.0±0.1V)

Noise Figure (dB)

3.0dB typ

Filter Outband attenuation

45.0 dB typ. Fo±50MHz  
 (fo=1561、1602MHz)

Output V.S.W.R

2.0 typ.

Voltage (V)

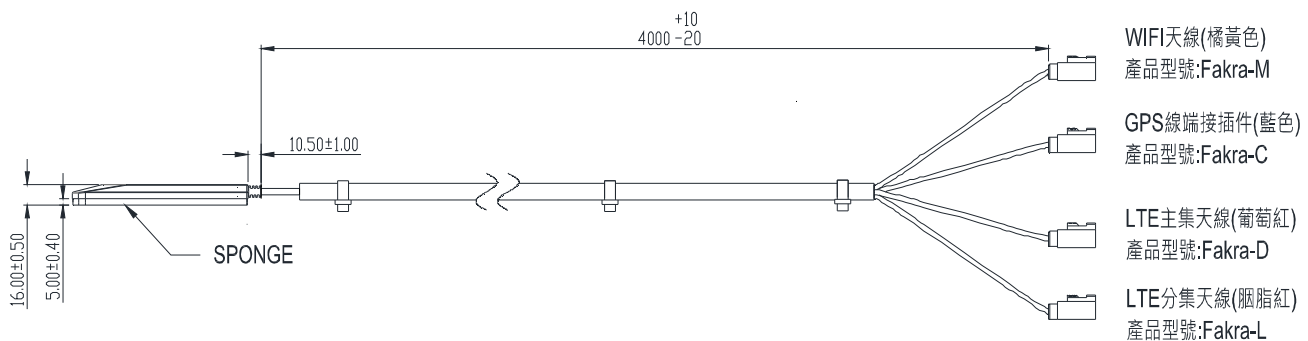
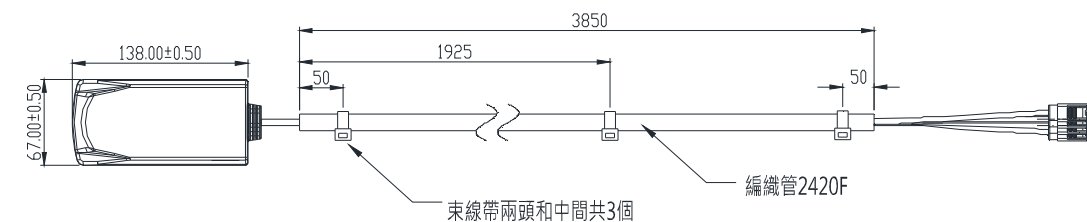
DC=3.0V

Current (mA)

DC=8±3mA (at 3.0±0.1V)

Dimension (mm)

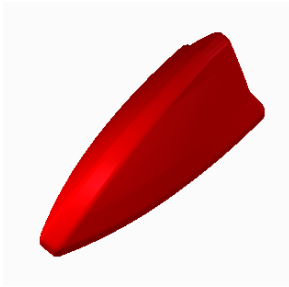
138x67x11



Product name

GNSAMFM-25S1W-S5-00-B

Appearance



Specification

Frequency Range (MHz)

1575.42-1610MHz

Gain (dB)

1575.42MHz 27±3dB (at 5.0±0.1V)  
 1602MHz 27±3dB (at 5.0±0.1V)  
 1610MHz 27±3dB (at 5.0±0.1V)

Noise Figure (dB)

2.5dB Max

Filter Outband attenuation

35.0 dB typ. Fo±50MHz  
 (fo=1575.42、1610MHz)

Output V.S.W.R

1.9 Max.

Voltage (V)

DC=3.0~5.5V

Current (mA)

DC=12±3mA (at 5.0±0.1V)

Dimension (mm)

170\*70\*70

