

Automotive Antenna

Specification

Type	Aftermarket
Part No	B3G02G-S3-XX-A GPSGLONASS03D-S6-XX-A GPS03B-D3-00-A GPS10D-S3/S5-XX-A GPS316K-S5-29-A

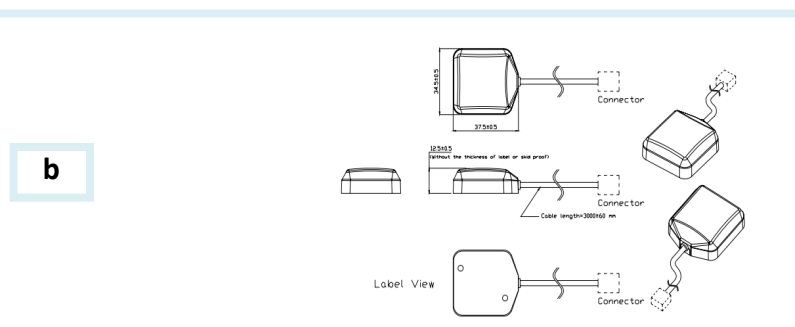
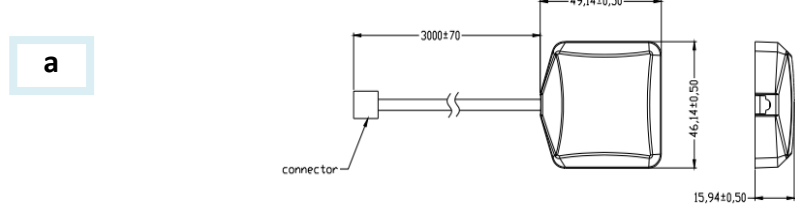
Product name	B3G02G-S3-XX-A	GPSGLONASS03D-S6-XX-A
---------------------	-----------------------	------------------------------



Specification

Frequency Range (MHz)	1558~1615	1575~1615
Gain (dB)	1561.098 MHz 25±3 dB 1575.42 MHz 27±3 dB 1602 MHz 27±3 dB (at 3.3±0.1 V) 1606 MHz 27±3 dB (at 3.3±0.1 V)	1575.42MHz : 27±3 (at 3.0±0.1V) 32±3 (at 5.0±0.1V) 1602MHz : 27±3 (at 3.0±0.1V) 32±3 (at 5.0±0.1V)
Noise Figure (dB)	2.0 typ.	2.0 typ.
Filter Outband attenuation	32dB typ. fo±50MHz 45dB typ. fo±100MHz	30.0dB typ. fo±50MHz 35.0dB typ. fo±100MHz (fo=1575.42MHz ~ 1602MHz)
Output V.S.W.R	2.0 max.	2.5 max.
Voltage (V)	3.3±0.6	3.0~5.0
Current (mA)	10±3 (at 3.3±0.1 V)	DC=8 ± 3 (at 3.0±0.1V) DC=16 ± 3 (at 5.0±0.1V)

Dimension (mm)	a. 49.14 x 46.14 x	b. 37.5 x 34.5 x 12.5
-----------------------	--------------------	-----------------------



Product name	GPS03B-D3-00-A
---------------------	-----------------------



Specification

Frequency Range (MHz)	1575.42 ±1.023 MHz
------------------------------	--------------------

Gain (dB)	27 dB typ
------------------	-----------

Noise Figure (dB)	1.5 dB typ
--------------------------	------------

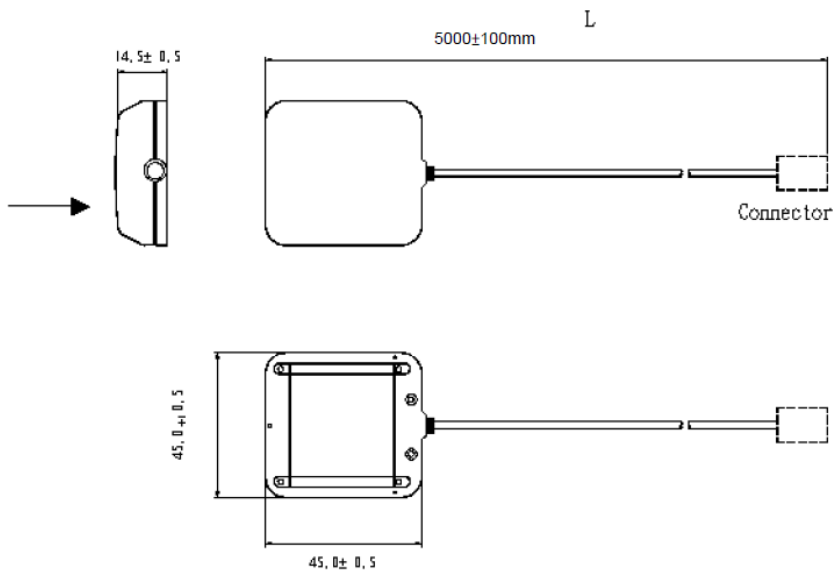
Filter Outband attenuation	Dielectric
	7dB min fo±20MHz
	20dB min fo±50MHz
	30dB min fo±100MHz
	(fo=1575.42MHz)

Output V.S.W.R	2.0 max
-----------------------	---------

Voltage (V)	DC =3.3±0.6V
--------------------	--------------

Current (mA)	9mA TYP 12mA max
---------------------	------------------

Dimension (mm)	37.0x8.0x2.8
-----------------------	--------------



Product name	GPS10D-S3/S5-XX-A	GPS316K-S5-29-A
--------------	-------------------	-----------------

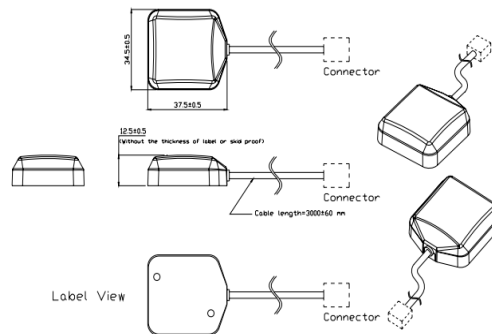
Appearance



Specification

Frequency Range (MHz)	1575.42 ±1.023/ 1575.42 ±2	1575.42 ±1.023
Gain (dB)	27±3/ 29±3	23±3
Noise Figure (dB)	2.0 typ./ 2.0 typ.	2.0 typ.
Filter Outband attenuation	7dB typ. fo±20MHz 20dB typ. fo±50MHz 30dB typ. fo±100MHz (fo=1575.42MHz)	20dB typ. fo±20MHz 30dB typ. fo±30MHz 30dB typ. fo±50MHz 40dB typ. fo±100MHz (fo=1575.42MHz)
Output V.S.W.R	2.0 max.	2.0 max.
Voltage (V)	3.3±0.6/ 5.0±0.6	5.0±1.0
Current (mA)	12±3 (at 3.3±0.1V) / 19±3 (at 5.0±0.1V)	26±4.0 (DC 5.0±0.1V)
Dimension (mm)	a.37.5 x 34.5 x 12.5	b. 37.4 x 34.0 x 12.95

a



b

