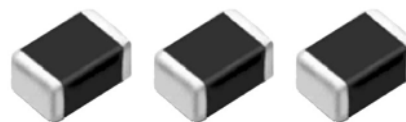


### ◆ Feature

1. Effectively filtering capability over a wide range of frequency ( Several MHz to GHz)
2. Monolithic inorganic material construction.
3. Closed magnetic circuit avoids crosstalk.
4. Excellent solderability and heat resistance
5. High reliability



### ◆ How to Order

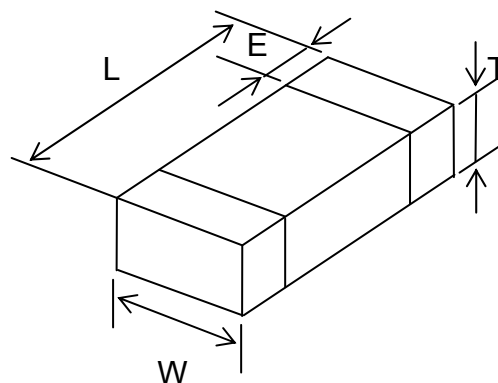
**MGB 1005 G 60 1 E B P**  
 (1) (2) (3) (4) (5) (6) (7) (8)

- (1) Series Name
- (2) Size Code: the first two digitals : length(mm), the last two digitals : width(mm)
- (3) Product Characteristics : G = for signal line;  
P = for power line
- (4) Impedance ( $\Omega$ )/ $\pm 25\%$
- (5) Fixed Decimal Point Ex:600 $\Omega$ →601, 1000 $\Omega$ →102
- (6) Rated current: C=100mA, D=150mA, E=200mA, F=300mA,  
G=400mA, H=500mA, L=1000mA, M=1500mA, N=2000mA
- (7) Soldering: Green Parts: B- Lead-Free for whole chip
- (8) Packaging: P – Embossed paper tape, 7" reel

### ◆ Dimension

Unit: mm

| Size(EIA) | 1005 (0402)     |
|-----------|-----------------|
| L         | 1.00 $\pm$ 0.10 |
| W         | 0.50 $\pm$ 0.10 |
| T         | 0.50 $\pm$ 0.10 |
| E         | 0.25 $\pm$ 0.10 |



◆ Specification

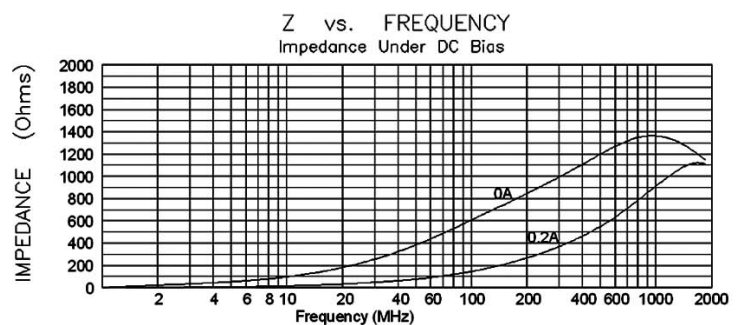
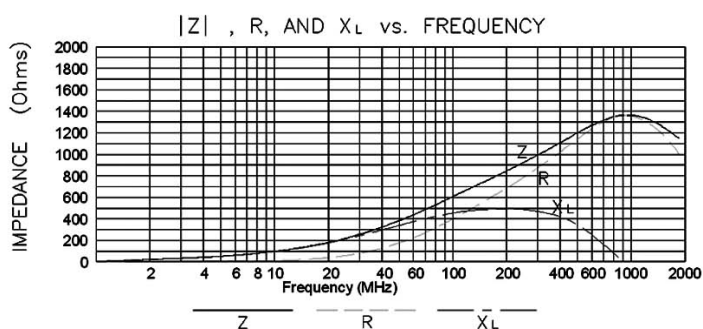
| Part Number                    | Impedance +/- 25% ( $\Omega$ ) | Test Freq. (MHz) | DCR ( $\Omega$ ) (Max.) | Rated Current (mA) |
|--------------------------------|--------------------------------|------------------|-------------------------|--------------------|
| <b>1005 (EIA 0402)</b>         |                                |                  |                         |                    |
| MGB1005G601EBP<br><i>(NEW)</i> | 600                            | 100              | 0.85                    | 200                |
| MGB1005G102EBP<br><i>(NEW)</i> | 1000                           | 100              | 1.65                    | 200                |

◆ General Technical Data

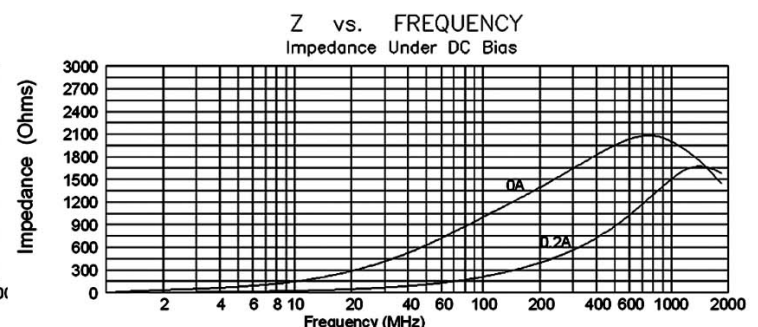
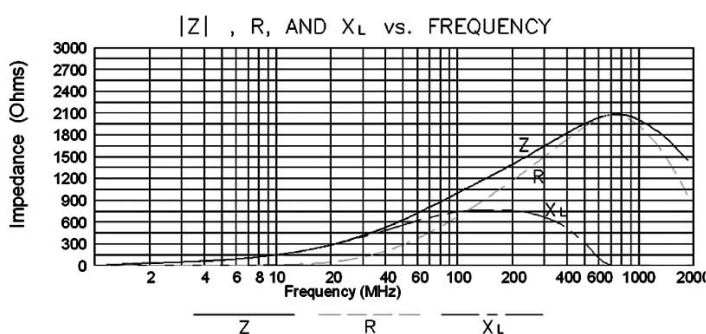
|                             |                           |
|-----------------------------|---------------------------|
| Operating Temperature Range | -55°C ~ +125°C            |
| Storage Condition           | Less than 40°C and 70% RH |
| Storage Time                | 6 months Max.             |
| Soldering Method            | Reflow or Wave Soldering  |

◆ Impedance vs. Frequency

**MGB1005G601E**



**MGB1005G102E**



◆ Package

|  |             |
|--|-------------|
| Size (EIA)                             | 1005 (0402) |
| Standard Packing Quantity (pcs / reel) | 10,000      |